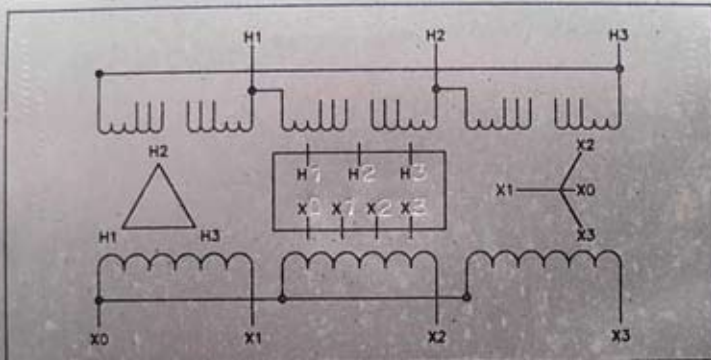


TTTS

Transcanada Transformers & Switchgear Inc.

KVA	THREE PHASE	MP%	NAN _____
°C RISE	60 CYCLE		NAF _____
HV	TRANSFORMER	COOLANT	_____
LV	TYPE	MFG SERIAL N ^o	_____
	NAN / <input type="checkbox"/> NAF	DATE OF MFG.	_____
		PROJECT N ^o	_____
BASIC IMPULSE LEVEL:		HV	LV
WINDING MATERIAL:		HV	LV
CSA SPEC.:			

**CAUTION:**

1. COOLING LIQUID MUST BE MAINTAINED AT THE PROPER LEVEL.
2. DO NOT OPERATE NO LOAD TAP CHANGER WITH TRANSFORMER ENERGIZED.
3. AMPERE RATING GIVEN IS CURRENT IN OUTLET LEADS.
4. *THIS RATING WILL BE ACHIEVED WITH THE ADDITION OF TTTS FANS
5. TANK WITHSTAND PRESSURE: 5.8 KPa POSITIVE 1.01 KPa NEGATIVE
6. THIS

WINDING	VOLTS	AMPERES		TAPCHANGER		BETWEEN	
		KVA 1000	KVA 1333	POS	CONNECTS		
HIGH VOLTAGE	48200	12.5	16.7	1	A + B	H ₁ , H ₂ , H ₃	
	45100	12.8	17.1	2	B - 0		
	44000	13.1	17.5	3	0 - D		
	40900	14.5	17.9	4	D + E		
	41800	13.0	18.2	5	E + F		
					6		
					7		
LOW VOLTAGE	800	382	1263			X ₁ , X ₂ , X ₃	

CORE AND WINDINGS 1800 KG TANK AND FITTINGS 1830 KG
 INSULATING LIQUID 1770 KG 2.0 LITRE
 TOTAL 5300 KG

Tx#65