

### Transformer Name Plate Data

Serial #: A31S2144  
 Make: Carte  
 kVA: 2000/2667  
 Vector Rel: D/Y  
 Temp. Rise: 65°C  
 Liters Oil: 2429

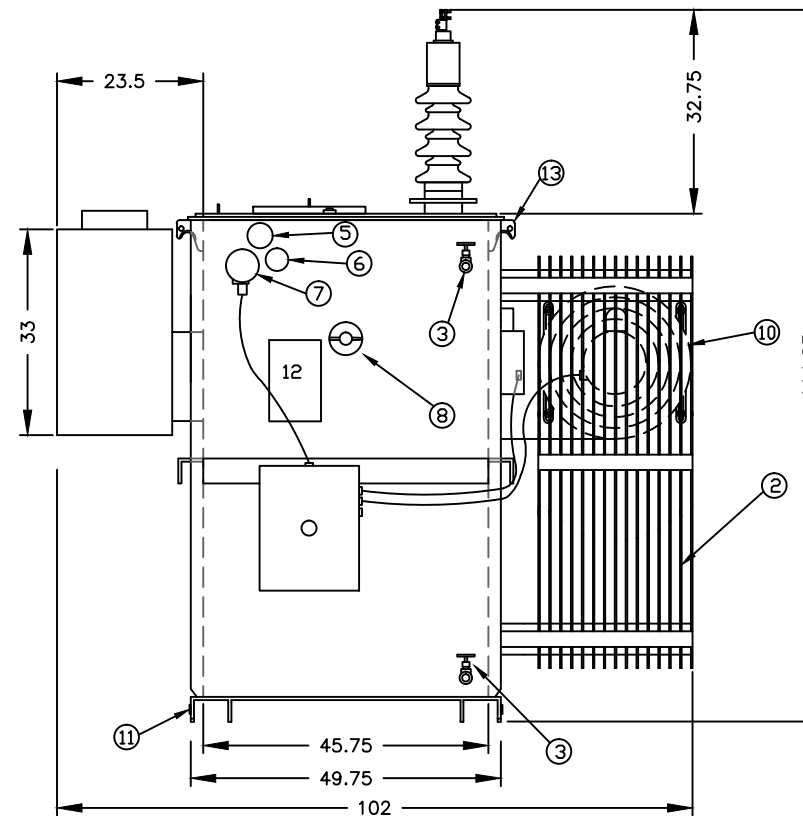
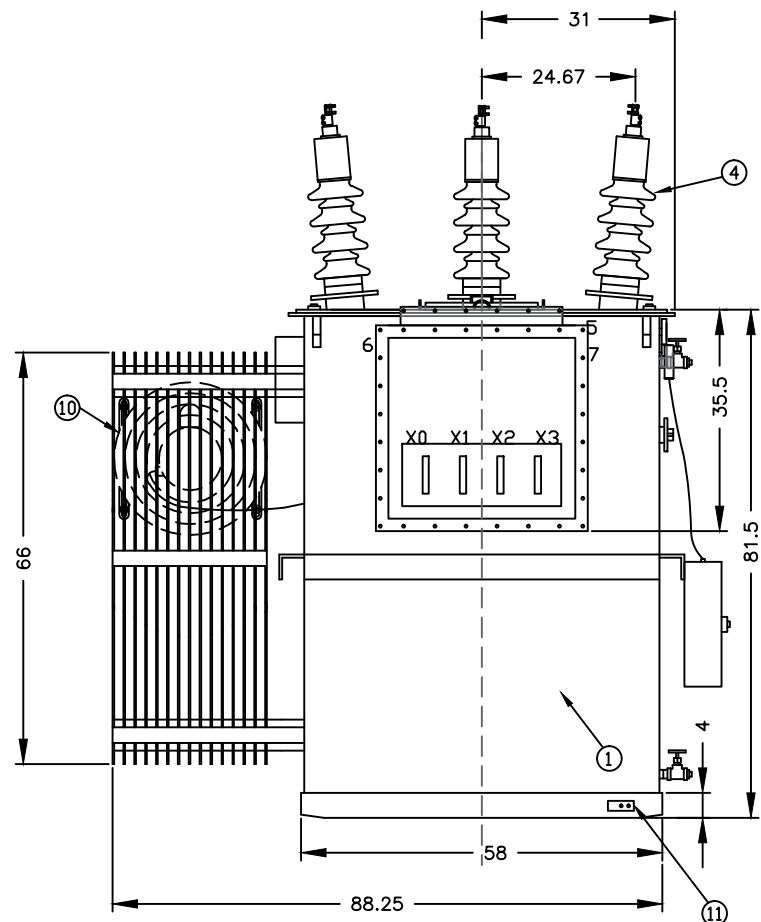
Type: ONAN/DNAF  
 H.V.: 44000 V  
 Neutral:  
 BIL H.V.: 250 kV  
 Tx Weight: 13900 lbs.

Built: 1989  
 L.V.: 600Y/347 V  
 Z%: 5.31/7.08  
 BIL L.V.: 45 kV  
 DWG No.: 1140015L

### Identification

1. Transformer Main Tank
2. Transformer Cooling Fins
3. Main Sample Valve
4. H.V. Bushings
5. Pressure/Vac. Gauge
6. Liquid Level Gauge
7. Temperature Gauge
8. Tap Changer
9. Emergency Pressure Relief Device
10. Fan Package
11. Ground Pads
12. Name Plate
13. Lifting Ears

Tap Position	Volts	Amperes (ONAN)
Tap # 1	46200	37.5
Tap # 2	45100	38.4
Tap # 3	44000	39.4
Tap # 4	42900	40.4
Tap # 5	41800	41.4



<b>LTL</b> LINEMAN'S TESTING LABORATORIES			
46 MERIDIAN ROAD, TORONTO, ONTARIO M9W 4Z7 Tel:(416) 742-6911-2 Fax:(416) 984-3394			
Project	LTL Inventory / TX 89		
Title	2000 KVA Transformer Details and Data		
By:	KR	Approv:	Scale: NTS
Date:	April 2017	File:	Dwg No: Tx # 89 Rev: 0