

Transformer Name Plate Data

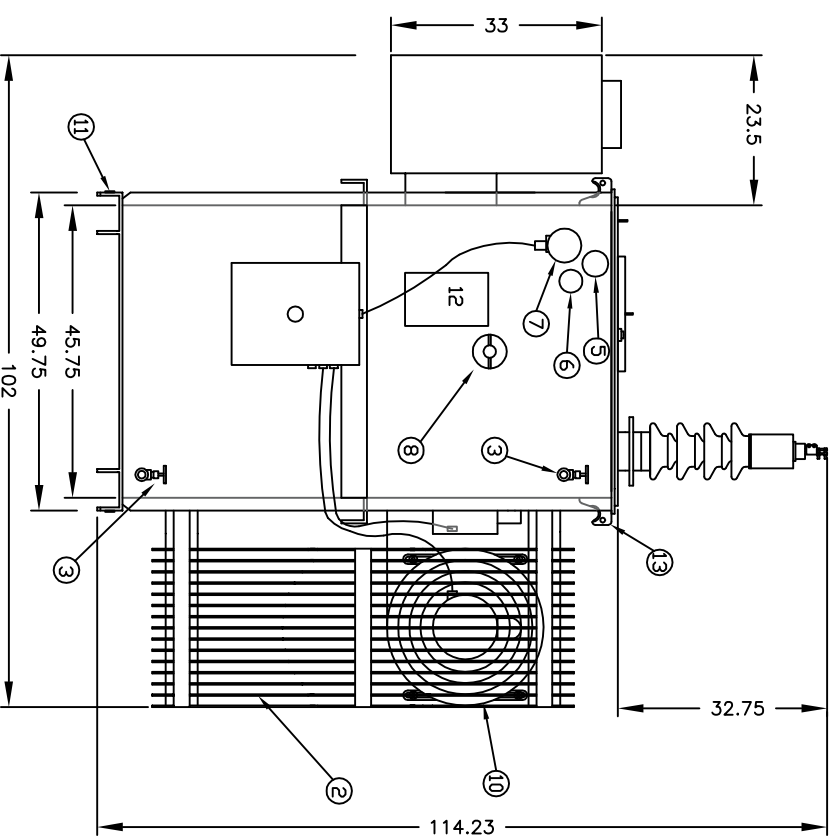
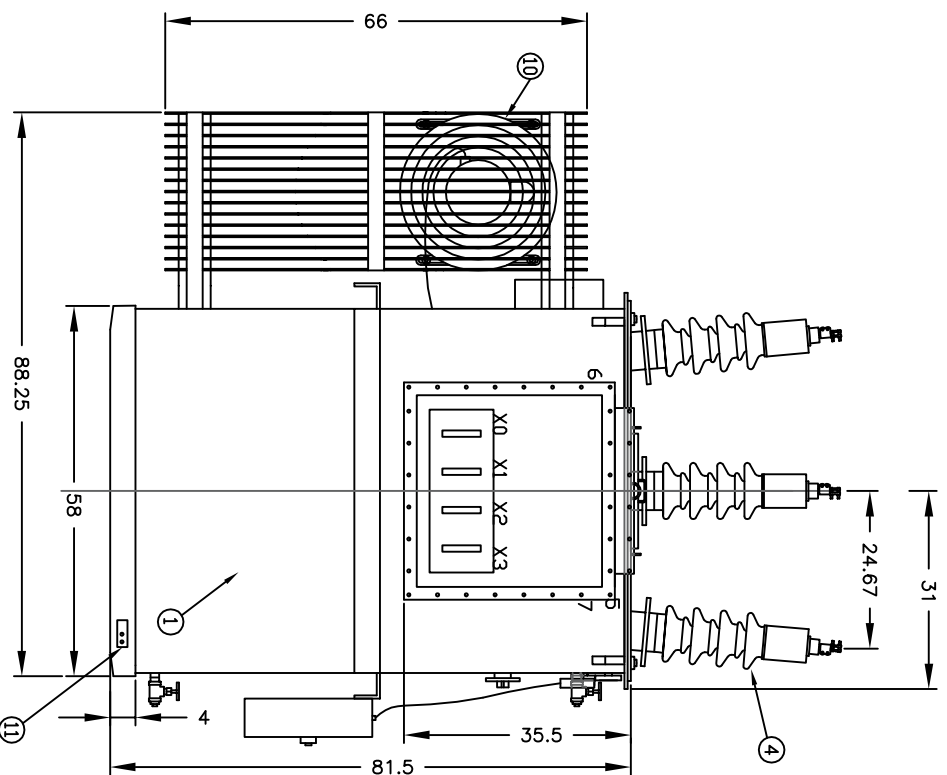
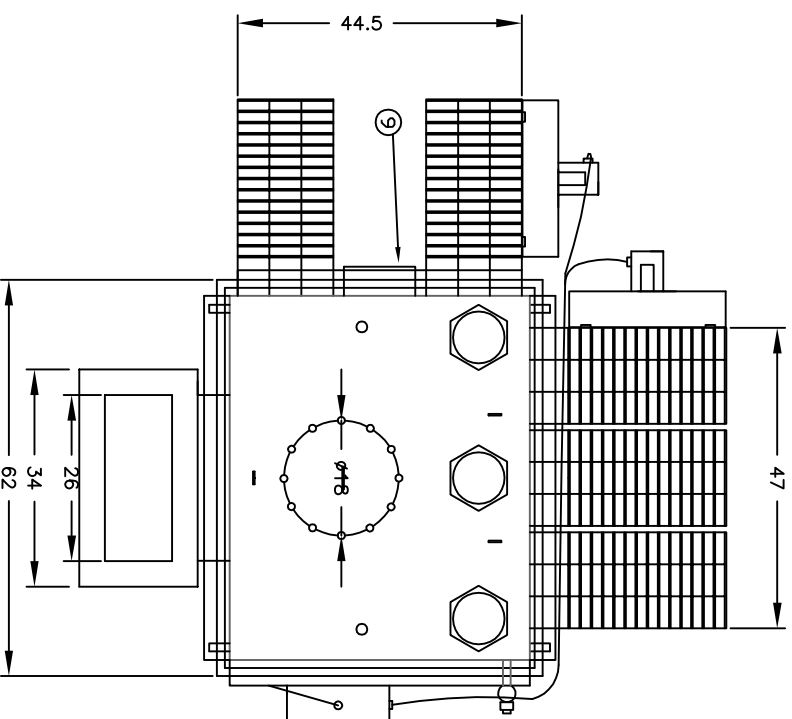
Serial #: A31S2144
 Make: Westinghouse Canada Inc.
 KVA: 3000/4000
 Vector Rel: D/Y
 Temp. Rise: 65°C
 Liters Oil: 2355

Type: DNAN/DNAF
 H.V.: 44000 V
 Neutral:
 BIL H.V.: 250 KV
 Tx Weight: 18050 lbs.

Built: 1985
 L.V.: 600Y/347 V
 Z/A: 5.5S/7/41
 BIL L.V.: 45 KV
 DWG No.: 23 8P1 08-1

Tap Position	Volts	Amperes (DNAN)
Tap # 1	46200	37.5
Tap # 2	45100	38.4
Tap # 3	44000	39.4
Tap # 4	42900	40.4
Tap # 5	41800	41.4

- Identification
1. Transformer Main Tank
 2. Transformer Cooling Fins
 3. Main Sample Valve
 4. H.V. Bushings
 5. Pressure/Vac. Gauge
 6. Liquid Level Gauge
 7. Temperature Gauge
 8. Tap Changer
 9. Emergency Pressure Relief Device
 10. Fan Package
 11. Ground Pads
 12. Name Plate
 13. Lifting Ears



LTL LINEMAN'S TESTING LABORATORIES
 46 MERIDIAN ROAD, TORONTO, ONTARIO M9W 4Z7 TEL:(416) 742-6911-2 FAX:(416) 984-3394

Project: LTL Inventory / TX 87
 Title: 3000/4000 KVA Transformer Details and Data
 By: RT
 Date: Mar. 13/17

Approv: NTS
 Scale:
 DWG No: Tx # 87
 Rev: 0