

Transformer Name Plate Data

Serial #: 90-669
 Make: Northern Transformer
 kVA: 2500
 Vector Rel: D/Y
 Temp. Rise: 65°C
 kV
 Lites Oil: 2242

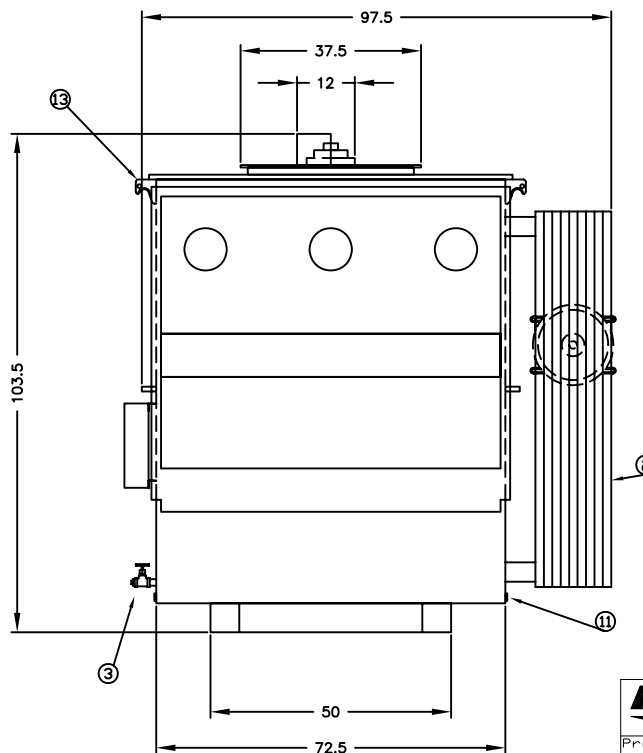
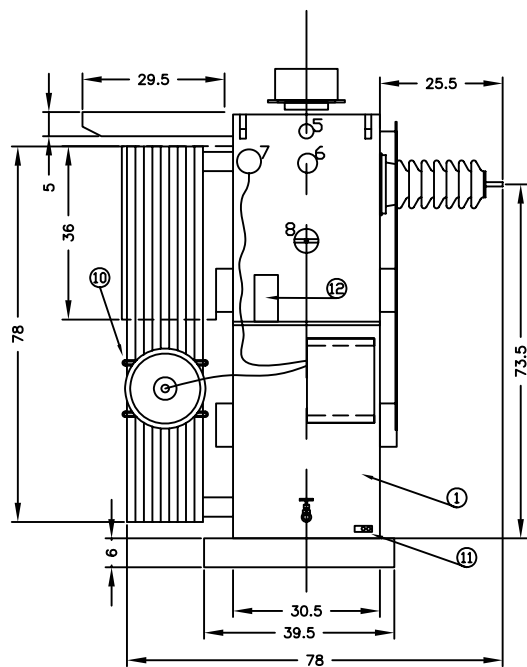
Type: ONAN
 H.V.: 44000 V
 Neutral:
 BIL H.V.: 250 kV
 Tx Weight: 7910 Kg

Built: 1990
 L.V.: 4160 V
 Zk: 4.9
 BIL L.V.: 75

Tap Position	Volts	Amperes
Tap # 1	46200	31.2
Tap # 2	45100	32.0
Tap # 3	44000	32.8
Tap # 4	42900	33.6
Tap # 5	41800	34.5

Identification

1. Transformer Main Tank
2. Transformer Cooling Fins
3. Main Sample Valve
4. H.V. Bushings
5. Pressure/Vac. Gauge
6. Liquid Level Gauge
7. Temperature Gauge
8. Tap Changer
9. Pressure Relief Device
10. Fan Package
11. Ground Pads
12. Name Plate
13. Lifting Ears



LTL LINEMAN'S TESTING LABORATORIES <small>41 RIVALDA ROAD, WESTON, ONTARIO M9M 2M8 Tel:(416) 742-6911-2 Fax:(416) 748-0290</small>			
Project: 2500kVA Transformer (Port of Oshawa)			
Title: Detail and Data			
By: ER	Approv:	Scale: NTS	
Date: May, 2006	File:	Dwg No: Tx # 43	Rev: 0