

# Identification

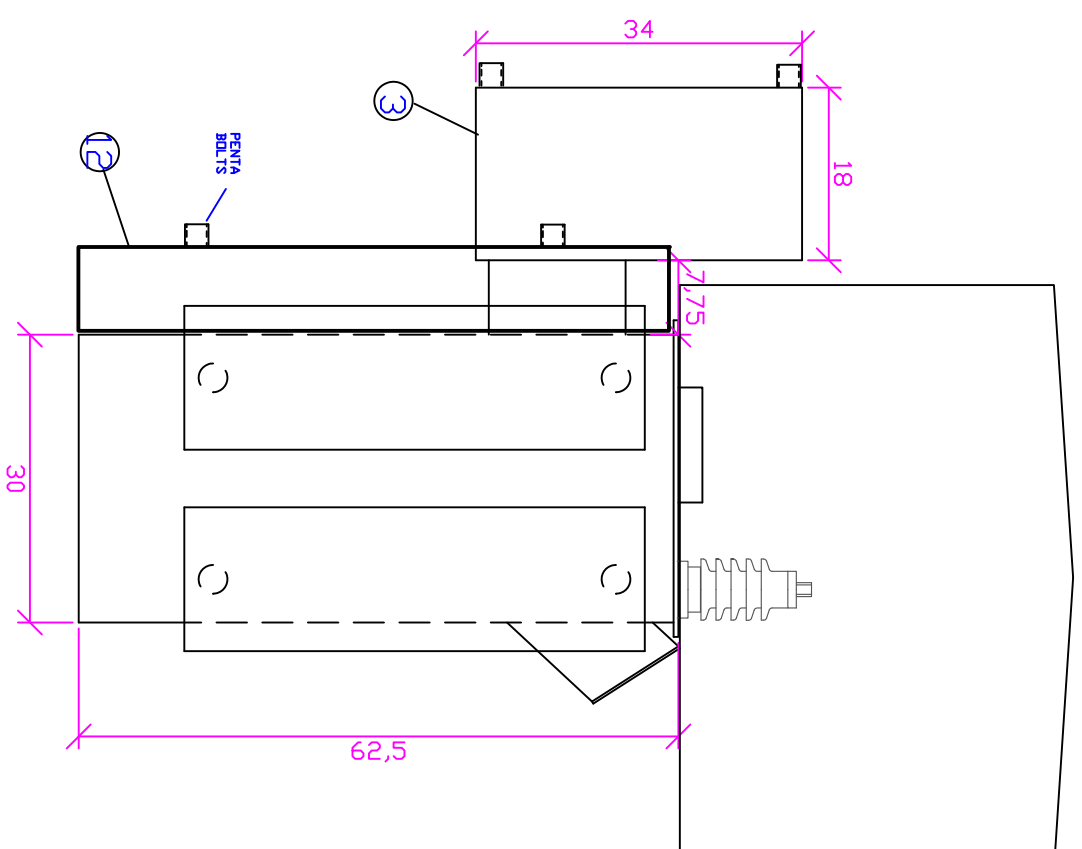
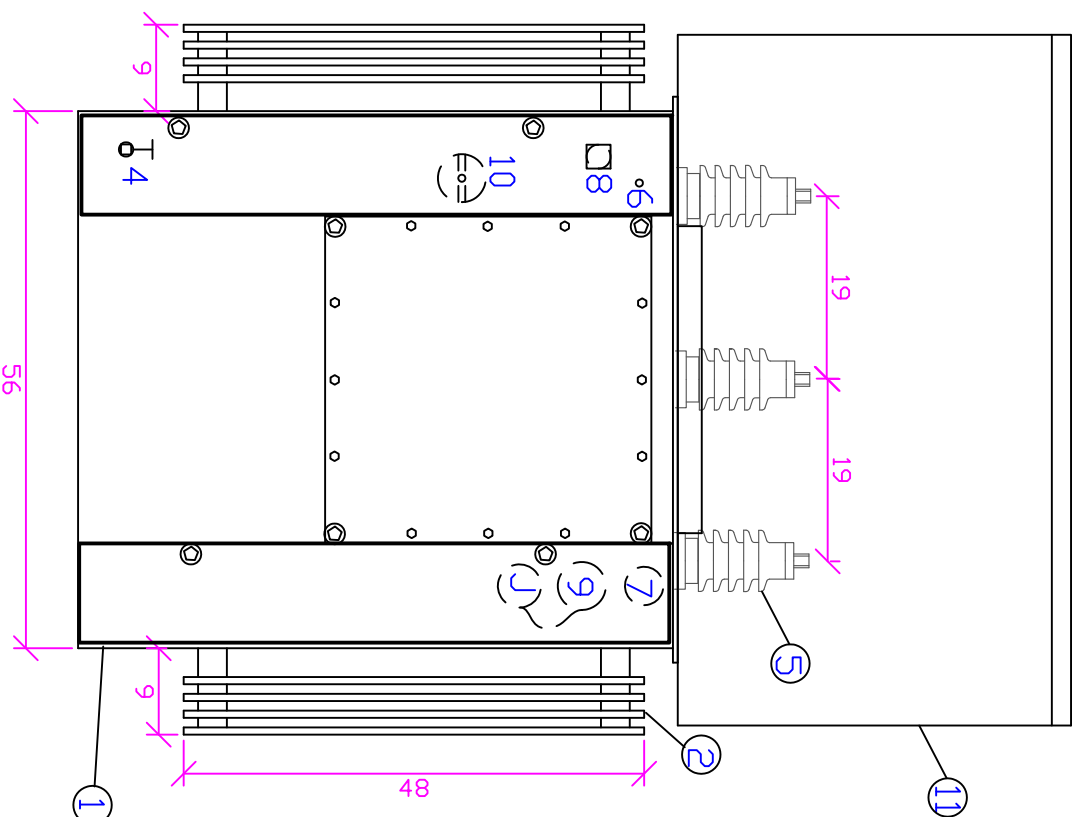
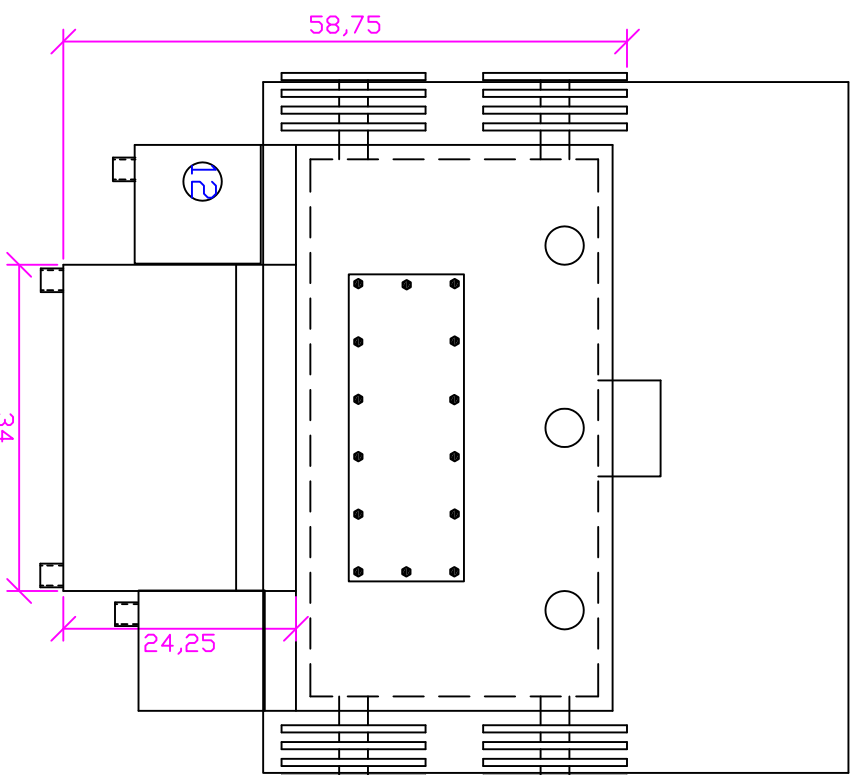
1. Transformer Main Tank
2. Transformer cooling fins
3. Secondary Junction Box
4. Main Sample Valve
5. H.V. Bushings
6. Pressure Relief Device
7. Pressure/Vac. Gauge
8. Liquid Level Gauge
9. Temperature Gauge
10. Tap Changer
11. Primary Hood
12. Tamper Proof Box

## NOTES

Transformer Built Tamperproof to CSA standard C227.21/C227.4

## Transformer Name Plate Data

Serial # : 86-03E1080-002  
 Make: Westinghouse Type: DNAN/DNAF Built: 1986  
 KVA: 1000/1333 H.V.: 27600V L.V.: 5,5  
 Vector Rel: D/Y Neut: L.V.: 600Y/347V  
 Temp. Riser: 65 deg C BIL.H.V.: 200KV BIL.L.V.: 45KV  
 LIT. Dll: 1089 TX.Wt.: 3746KG



<b>LINEMAN'S TESTING LABORATORIES</b> 41 RIVALDA ROAD, WESTDL, DINTARDI 49K 289 Tel:(416) 748-6511-8 Fax:(416) 748-0890	
Project: CASTLE PERCAST-12530 ALBION VAUGHAN ROAD. BDL.	
By:	1000 KVA TRANS
By:	KR
Date:	NDV, 2005
Scale:	NTS
Dwg No:	E6
Rev:	0