

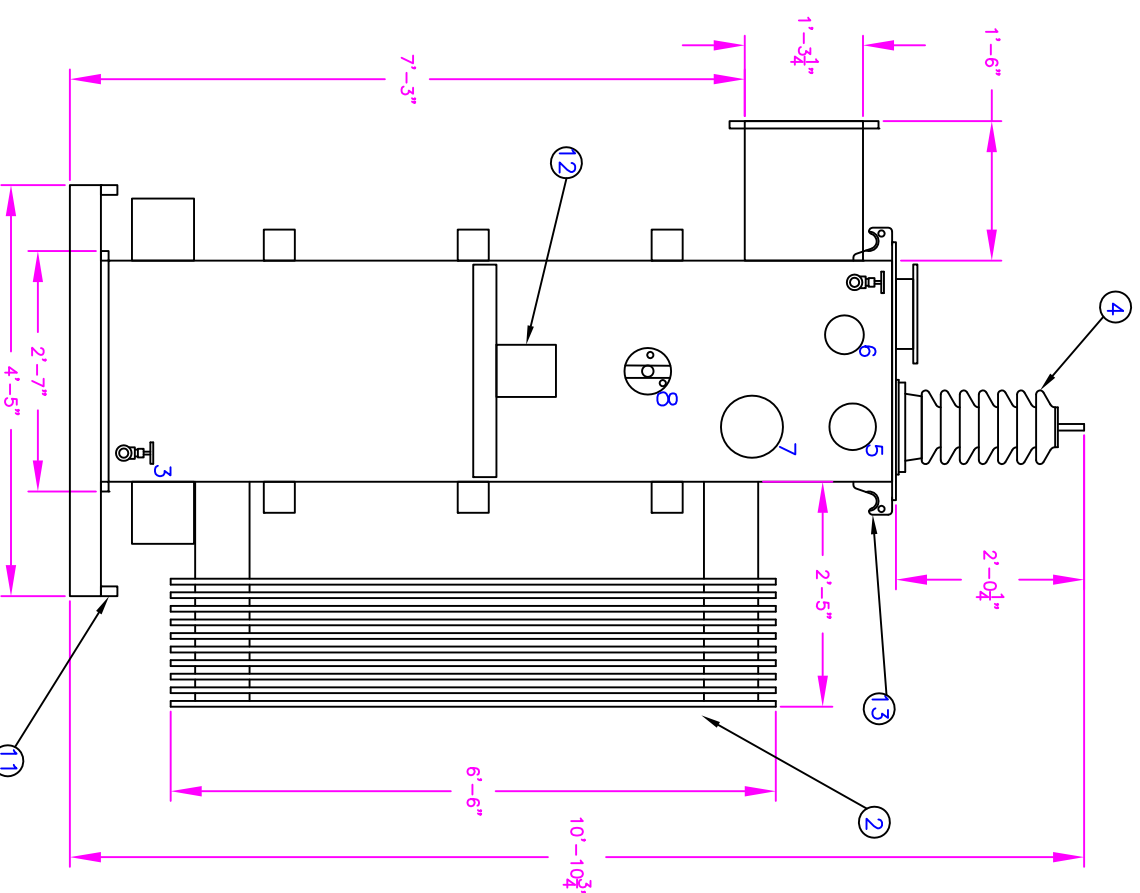
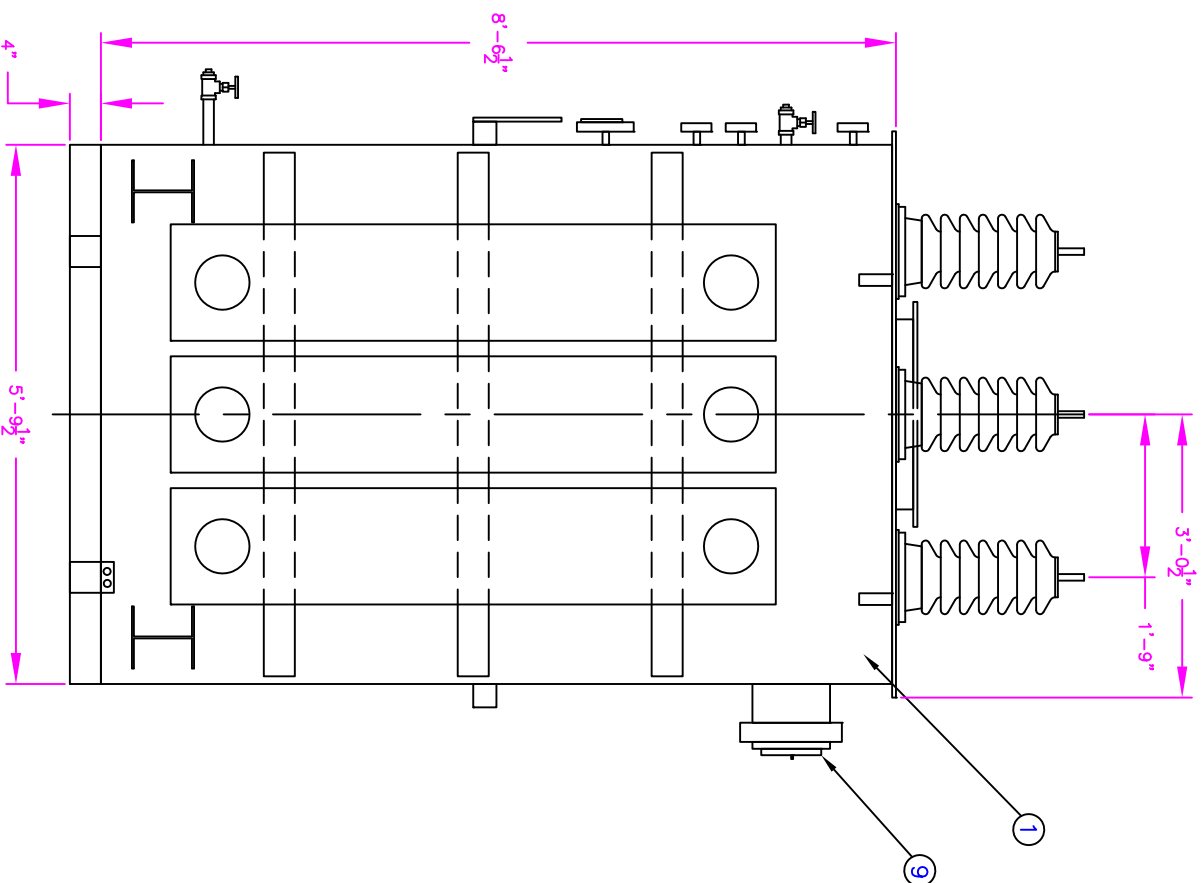
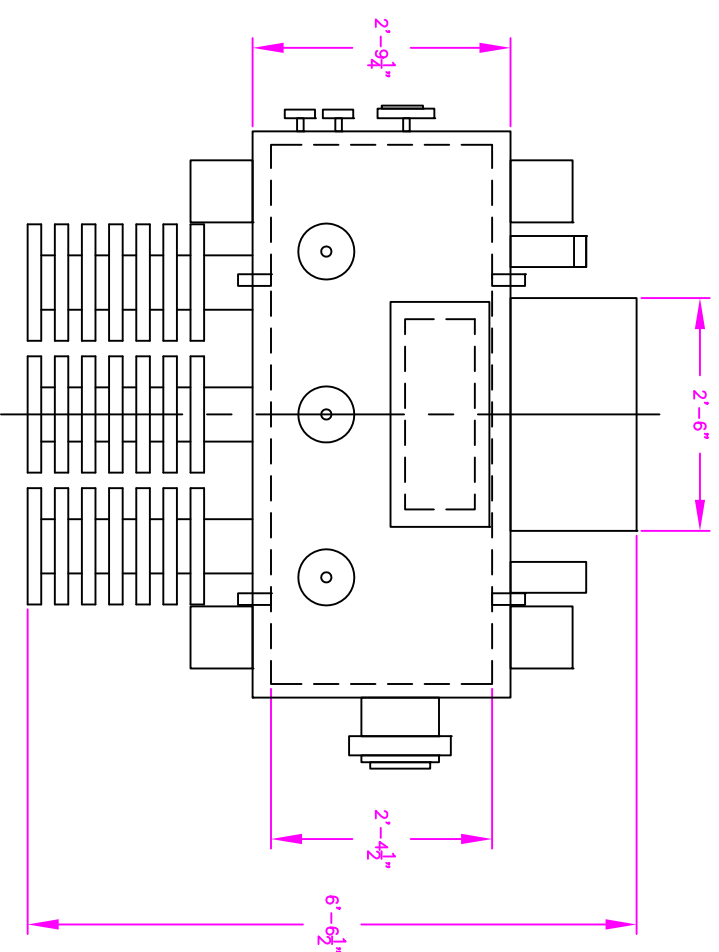
Transformer Name Plate Data

Serial #: T-60472-2
 Make: Federal Pioneer
 KVA: 2000/2667
 Vector Rel.: D/Y
 Temp. Rise: 65°C
 Cds. Oil: 510
 Type: ONAN/ONAF
 H.V.: 27600 V
 Neutral:
 BIL H.V.: 200 kV
 Tx Wight: 17100 lbs.
 Built: 1980
 L.V.: 600/347 V
 Z%: 5.46
 BIL L.V.: 10 kV
 DWG No.: M2112B0278

Tap Position	Volts	Amperes
Tap # 1	28980	39.8
Tap # 2	28290	40.8
Tap # 3	27600	41.8
Tap # 4	26910	42.9
Tap # 5	26220	44.0

Identification

1. Transformer Main Tank
2. Transformer cooling fins
3. Main Sample Valve
4. H.V. Bushings
5. Pressure/Vac. Gauge
6. Liquid Level Gauge
7. Temperature Gauge
8. Tap Changer
9. Pressure Relief Device
10. Fan Package (N/A)
11. Ground Pads
12. Name Plate
13. Lifting Ears



LTL LINEMAN'S TESTING LABORATORIES
 41 RIVALDA ROAD, WESTON, ONTARIO M9M 2W8 Tel: (416) 742-6911-2 Fax: (416) 748-0290
 Project: 2000/2667KVA Transformer (Cargill)
 Title: Detail and Data
 By: ER Approver: _____
 Date: APR, 2006 File: _____
 Scale: _____
 Dwg No.: Tx # 41 Rev: 0