

Transformer Name Plate Data

Serial #: T-60472-1
 Make: Federal Pioneer
 KVA: 2000/2667
 Vector Rel.: D/Y
 Temp. Rise: 65°C
 Gals. Oil: 510

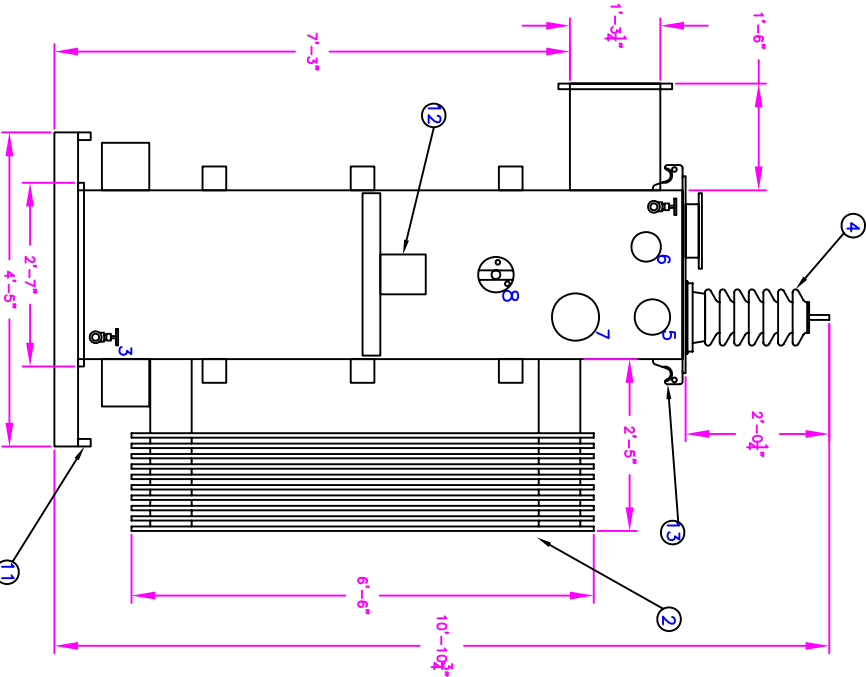
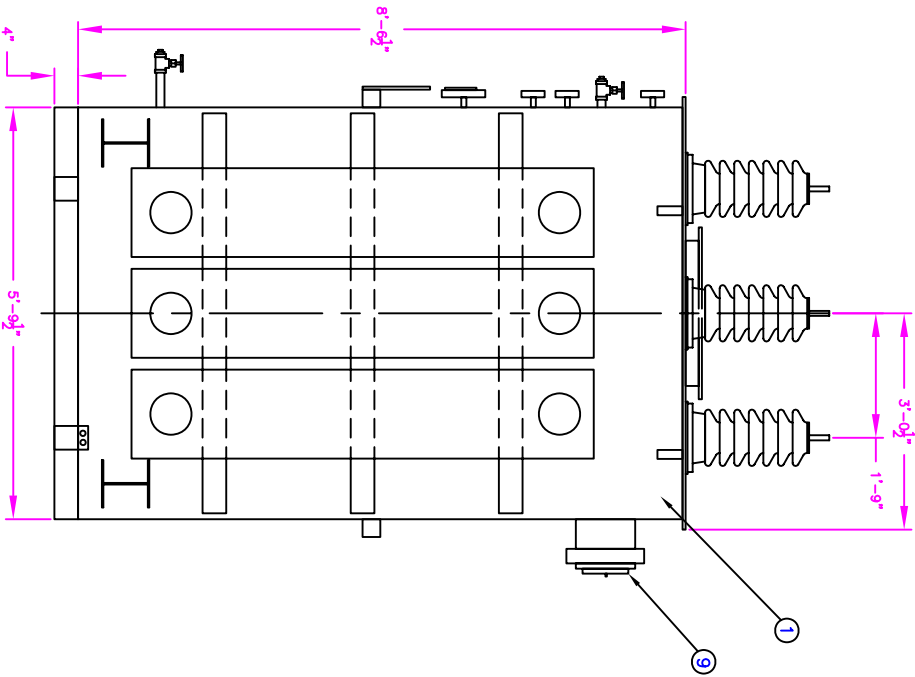
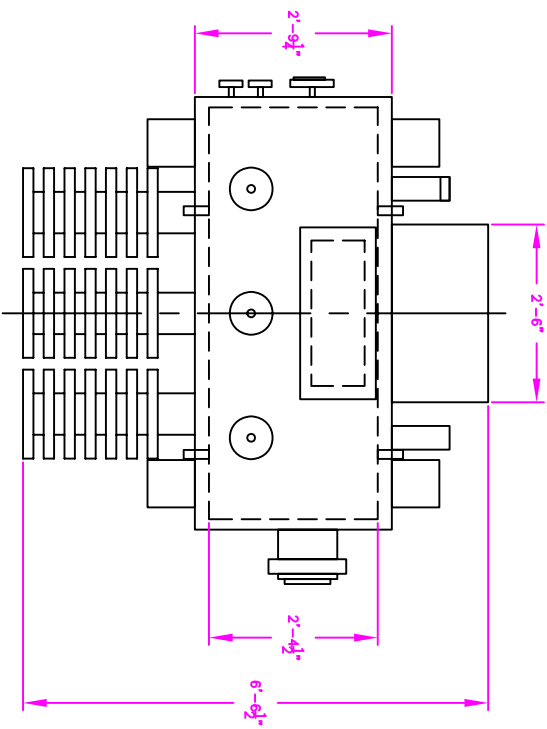
Type: ONAN/ONAF
 H.V.: 27600 V
 Neutral:
 BILL H.V.: 200 kV
 Tx Weight: 17100 lbs.

Built: 1980
 L.V.: 600/347 V
 Z%: 5.5
 BILL L.V.: 10 kV
 DWG No.: M2112B0278

Tap Position	Volts	Amperes
Tap # 1	28980	39.8
Tap # 2	28290	40.8
Tap # 3	27600	41.8
Tap # 4	26910	42.9
Tap # 5	26220	44.0

Identification

- Transformer Main Tank
- Transformer Cooling Fins
- Main Sample Valve
- H.V. Bushings
- Pressure/Vacc. Gauge
- Liquid Level Gauge
- Temperature Gauge
- Tap Changer
- Pressure Relief Device
- Fan Package (N/A)
- Ground Pads
- Name Plate
- Lifting Ears



LTL LINEMAN'S TESTING LABORATORIES
 41 RIVULON ROAD, WESTON, ONTARIO M9M 2M8 Tel:(416) 742-6911 Fax:(416) 748-0280

Project: 2000/2667KVA Transformer (Cargill)
 Title: Detail and Data
 By: ER
 Date: APR, 2006

Scale: NTS
 Dwg No.: Tx # 40
 Rev: 0